

Uninterruptible Power Systems



3 Year
Warranty

G9000 Series

80/100/160/225/
300/500/750 KVA UPS



97%
Efficiency

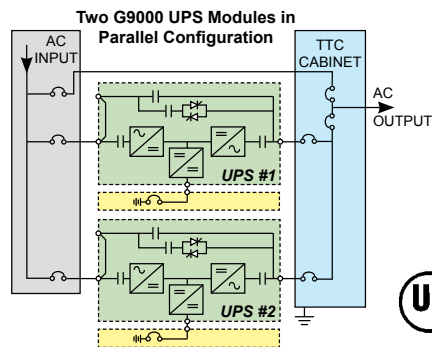
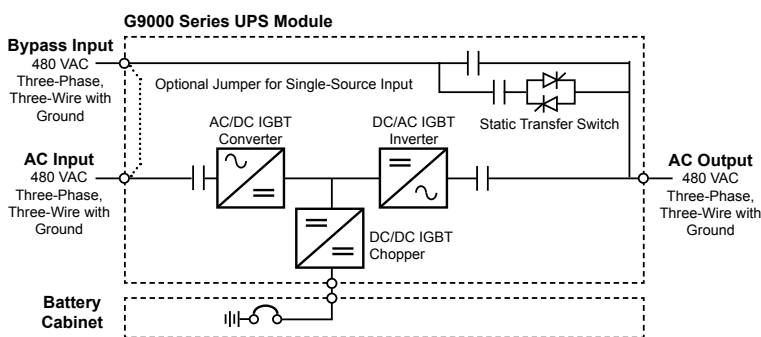


- Next-Generation IGBT Technology
- True On-Line, Double-Conversion UPS
- Parallel Up to Eight Units
- Input Power Factor > 0.99
- Input Current THD < 3%
- Output Power Factor 1.0
- 100% Unbalanced Load Capability
- Wide Input Voltage Range +15%, -20% (Without Utilizing Batteries)
- High Efficiency for Lower Operational Cost
- Smallest Footprint & Highest Power Density in Industry
- Electronic Battery Isolation for Battery Longevity
- Generator-Friendly Design & Compatibility
- Complete Front Access for Installation, Operation, & Service
- Handles Leading Power Factor Loads (Without Derating)
- SNMP/Web-Based Monitoring
- Three-Year Warranty for Lower Cost of Ownership

G9000 Series UPS

Model Number		T90S3S08K-S6XSN	T90S3S10-S6XSN	T90S3S16-S6XSN	T90S3S22K-S6XSN	T90S3S30K-S6XSN*	T90S3S50K-S6XSN*	T90S3S75K-S6XSN*
Capacity	KVA/KW	80/72	100/90	160/144	225/202.5	300/300	500/500	750/750
Topology		True On-Line, Double-Conversion, Advanced Multi-Level IGBT Technology						
Input	Voltage	480 V, Three-Phase, Three-Wire + Ground/Bypass Input, 480 V, Three-Phase, Three-Wire + Ground						
	Voltage Range	480 V, -20% to +15% (384 to 552 V Without Utilizing Battery)						
	Power Factor	Greater than 0.99						
	Current THD	< 3% at 100% Load (No Input Filter Required)						
	Frequency	60 Hz (±10%)						
Output	Voltage	480 V, Three-Phase, Three-Wire + Ground						
	Frequency	60 Hz, ±0.01% (In Free-Running Mode)						
	Voltage Regulation	±1.0% (0.5% Typical)						
	Power Factor	0.9 Lagging				1.0 (Unity)		
	Power Factor Range	0.9 Lagging to 0.95 Leading						
	Voltage THD	< 2% for Linear Load, < 5% for Non-Linear Load						
	Overload (Inverter)	125% for 2 Minutes; 150% for 60 Seconds				125% for 10 Minutes; 150% for 60 Seconds		
	Overload (Bypass)	1000% for One Cycle				500% for One Cycle		
	Parallel Capability	Four Units Max				Eight Units Max		
	Battery	DC Link	480 VDC					
Temperature Range		32° to 104°F (0° to 40°C)						
Environment	Relative Humidity	5% to 95% Non-Condensing						
	Heat Rejection	10,771 BTUs/Hr	13,463 BTUs/Hr	17,821 BTUs/Hr	25,060 BTUs/Hr	30,709 BTUs/Hr	51,182 BTUs/Hr	79,200 BTUs/Hr
	Efficiency (Full-Load)	95.8%	95.8%	96.5%	96.5%	97.0%	97.0%	97.0%
	Efficiency (20% Load)	92.5%	92.5%	94.7%	94.9%	95.8%	95.8%	95.8%
	Altitude	7380 Feet Maximum Without Derating (2250 Meters)						
	Audible Noise	70 dBA at 1 Meter				73 dBA at 1 Meter		
	Dimensions	Dimensions (W x D x H)	27.6 x 32.8 x 80.6 in. (700 x 832 x 2047 mm)		35.4 x 32.8 x 80.6 in. (900 x 832 x 2047 mm)		51.2 x 32.7 x 80.7 in. (1300 x 832 x 2050 mm)	70.9 x 32.7 x 80.7 in. (1800 x 832 x 2050 mm)
Weight		855 lbs. (388 kg)	855 lbs. (388 kg)	1160 lbs. (526 kg)	1230 lbs. (558 kg)	2200 lbs. (1000 kg)	3300 lbs. (1500 kg)	4255 lbs. (1930 kg)
Features	Digital Signal Processor (DSP) Control, Fully Digital IGBT Converter & Inverter, High Efficiency Over Wide Load Range, Transformer-Less Design, N+1 and N+N (Up to Eight in Parallel) Capability, Dual-Input Feed, Electronic Battery Isolation, RS232 and Dry Contact Interface, Small Footprint, Lightweight Design							
Standards	UL 1778, CUL, ISO9001, ISO14001, ANSI C62.41 (IEEE 587), FCC Class A, Article 47, Part 15.B							
Warranty	Three-Year Onsite (Optional Two-Year Extended Warranty); See Toshiba Warranty Policy for Full Details							
Service	24-Hour, 365-Day Technical Support 1-877-867-8773							

* Preliminary Specifications Only; Subject to Change Without Notice; 750 KVA Available First Quarter 2010; 300/500 KVA Available Second Quarter 2010



UPS ADJUSTABLE SPEED DRIVES MOTORS CONTROLS INSTRUMENTATION PLC

TOSHIBA

Available Through:

TOSHIBA INTERNATIONAL CORPORATION

INDUSTRIAL DIVISION

13131 West Little York Road, Houston, Texas 77041

Tel 713/466-0277 Fax 713/466-8773

US 800/231-1412 Canada 800/872-2192 Mexico 001/800/527-1204

www.toshiba.com/ind

Copyright 10/2009 UPS G9000 B05 23 08-003

