

MORE POWER – LESS SPACE™



HIGH RATE SERIES

HR5500ET

- Advanced AGM technology for superior high rate, short term power
- Front Access design for easy installation and maintenance
- Exclusive tank formed plates optimize cell voltage balance and performance
- Plates formed with IPF™ technology to assure consistent cell to cell performance
- Reinforced case resists bulging and meets safety requirements (UL 94 V-0)
- Case & cover heat sealed and 100% tested to prevent leaks
- Epoxy-sealed posts eliminate leaks
- Puncture resistance micro-porous glass mat separators extend life
- Flame arresting, low pressure, self-sealing valves are 100% factory tested
- Computer-aided design and manufacturing control processes and standards to ensure quality products
- All batteries meet or exceed IEEE 485, 1184, 1187 & 1188 requirements at shipment
- Battery design and construction meet UL recognition requirements



QUALITY SYSTEM
CERTIFIED TO
ISO 9001
ISO/TS 16949
ISO 14001



SPECIFICATIONS

Nominal Voltage: 12-Volt/550 w.p.c.
@ 15 min. rate to 1.67 v.p.c.

Positive Plate: Pure lead, low-calcium,
high-tin alloy

Negative Plate: Lead calcium alloy

Post Seal: Epoxy-sealed

Terminal: Front access, 1/4" - 20
threaded brass post

Container: Flame-retardant, polypropylene -
UL 94 V-0/>28% L.O.I.

Safety Vent: Low positive
pressure, self-sealing w/ flame arrestor

Float Voltage: 2.25 v.p.c. ± 0.01 v.p.c. (Range: 13.44
to 13.56 volts per 6-cell battery)

Design Life: 10 years in float applications
at 77°F (25°C)

Dimensions: 22.00" (558.8 mm) L
x 4.90" (124.5 mm) W
x 11.75" (298.5 mm) H

Weight: 120 lbs. (54.4 kg.)

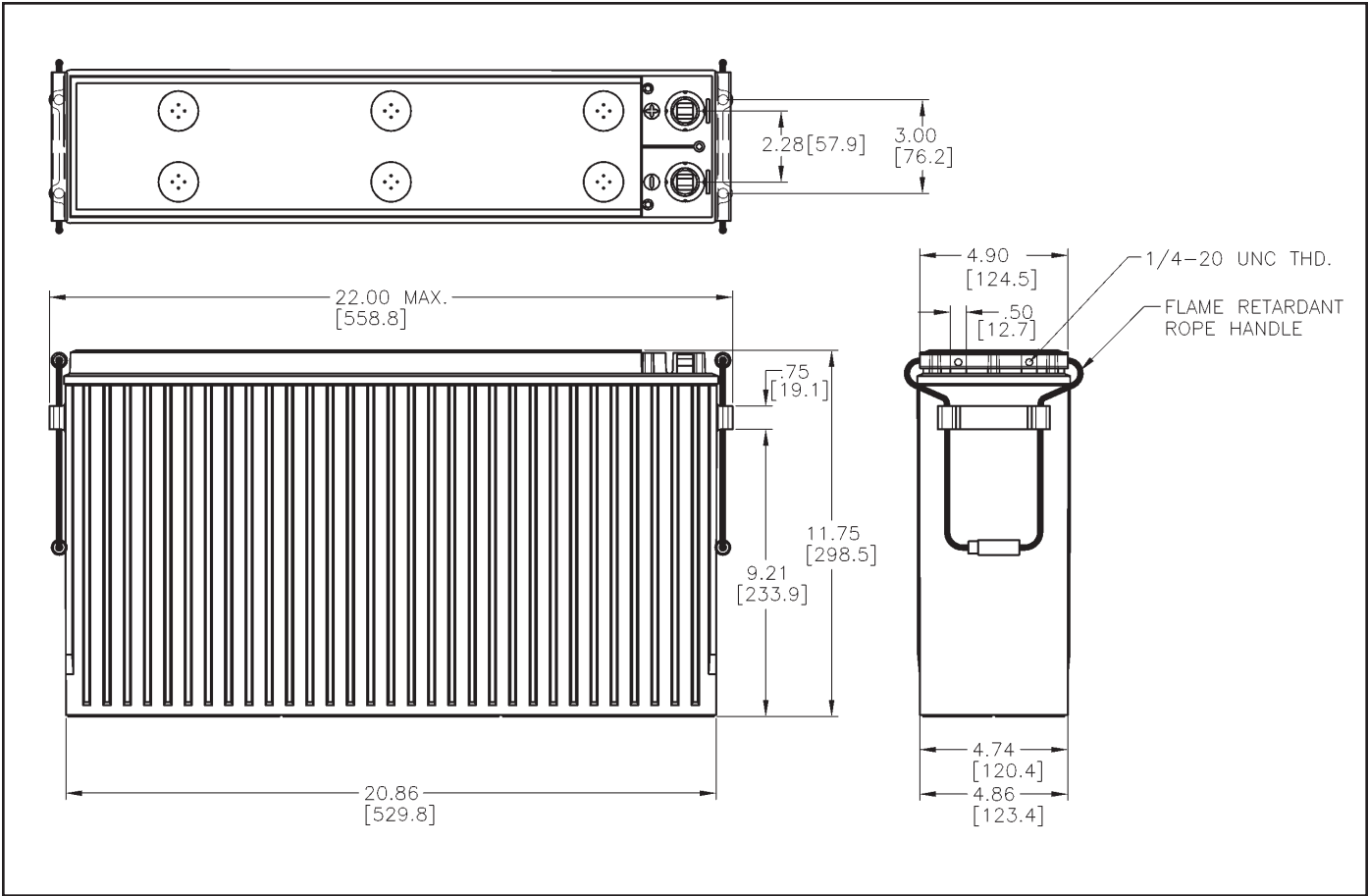
DISCHARGE RATE IN WATTS PER CELL @ 77°F (25°C)†

Volts Per Cell (VPC)	5 MINS.	10 MINS.	15 MINS.	20 MINS.	30 MINS.	40 MINS.	50 MINS.	60 MINS.
1.60	946	712	576	471	369	297	250	218
1.67	864	670	550	453	360	291	247	216
1.70	828	647	535	443	356	288	245	215
1.75	749	602	506	420	344	280	239	210
1.80	653	540	463	389	324	267	230	203

DISCHARGE RATE IN AMPS @ 77°F (25°C)†

Volts Per Cell (VPC)	5 MINS.	15 MINS.	30 MINS.	60 MINS.	90 MINS.	2 HR.	3 HR.	4 HR.	8 HR.	10 HR.	20HR.	24HR.	100HR.
1.75	417	330	182	109	69	55	41	32	19	16	8.5	7.2	1.8
1.80	356	291	170	105	67	54	40	32	18	15	8.4	7.1	1.8

† Subject to change without notice.



"POWERED FOR PERFORMANCE"®

EAST PENN manufacturing co., inc.

Lyon Station, PA 19536-0147 • Phone: 610-682-6361 • Fax: 610-682-4781

Order Department Hotline: 610-682-4231

www.eastpennunigy.com • e-mail: sales@eastpennunigy.com

E.P.M. Form No. 0773 5/09 © 2009 by EPM Printed in U.S.A.

All data subject to change without notice.
No part of this document may be copied or reproduced, electronically or mechanically, without written permission from the company.