

**MORE POWER - LESS SPACE™**



# unigy I

## 12AVR145ET

- Front access design for easy installation and maintenance
- Plates formed with IPF™ technology to assure consistent cell to cell performance
- Absorbed glass mat separators
- Reinforced case resists bulging and meets safety requirements (UL 94 V-0)
- Case & cover heat sealed and 100% tested to prevent leaks
- Epoxy-sealed posts eliminate leaks
- Puncture resistance micro-porous glass mat separators extend life
- Flame arresting, low pressure, self-sealing valves are 100% factory tested
- Computer-aided design and manufacturing control processes and standards to ensure quality products
- All batteries meet or exceed IEEE 485, 1187, 1188, and Telcordia capacity requirements at shipment.
- Battery design and construction meet UL recognition requirements



### SPECIFICATIONS

- Nominal Voltage:** 12-Volt/145 ampere-hours  
@ 8 hr. rate to 1.75 final v.p.c.
- Positive Plate:** Pure lead, low-calcium, high-tin alloy
- Negative Plate:** Lead calcium alloy
- Post Seal:** Epoxy-sealed
- Terminal:** Front access, 1/4" - 20 threaded insert
- Container:** Flame-retardant, polypropylene - UL 94 V-0/>28% L.O.I.
- Safety Vent:** Low positive pressure, self-sealing w/ flame arrestor
- Float Voltage:** 2.25 v.p.c. ± 0.01 v.p.c. @ 77°F (25°C)  
(Range: 13.44 to 13.56 volts per 6-cell battery)

**Battery Life:** 10 years in float applications at 77°F (25°C)

**Dimensions:** 17.58" (446.6 mm) L  
x 6.89" (174.9 mm) W  
x 10.10" (256.5 mm) H

**Weight:** 105 lbs. (47.7 kg)



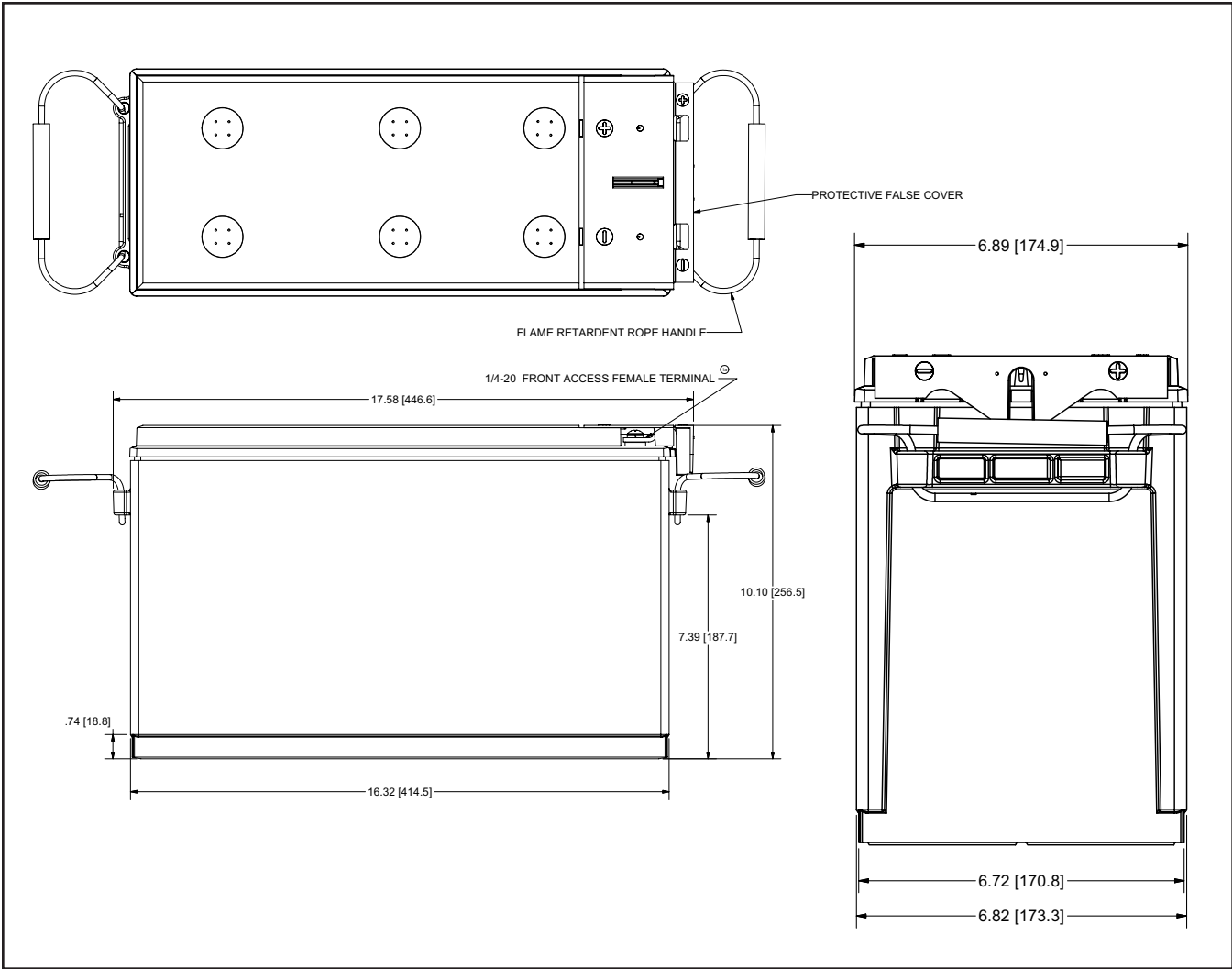
QUALITY SYSTEM  
CERTIFIED TO  
**ISO 9001**  
**ISO/TS 16949**  
**ISO 14001**



### DISCHARGE RATE IN AMPS<sup>†</sup> @77°F

Volts Per Cell (V.P.C.)	1 HR.	3 HR.	5 HR.	8 HR.	10 HR.	12 HR.	20 HR.	24 HR.
1.75	93.9	39.2	26.3	18.1	14.8	12.6	7.9	6.7
1.80	91.4	38.7	26.0	17.9	14.6	12.4	7.8	6.6
1.85	86.1	37.3	25.1	17.3	14.1	12.0	7.5	6.3
1.88	81.0	35.7	24.1	16.6	13.6	11.5	7.2	6.1
1.90	76.8	34.4	23.3	16.0	13.1	11.1	6.9	5.8

<sup>†</sup> Subject to change without notice.



**"POWERED FOR PERFORMANCE"®**  
***EAST PENN manufacturing co., inc.***

Lyon Station, PA 19536-0147 • Phone: 610-682-6361 • Fax: 610-682-4781  
**Order Department Hotline: 610-682-4231**  
 www.eastpennunigy.com • e-mail: sales@eastpennunigy.com